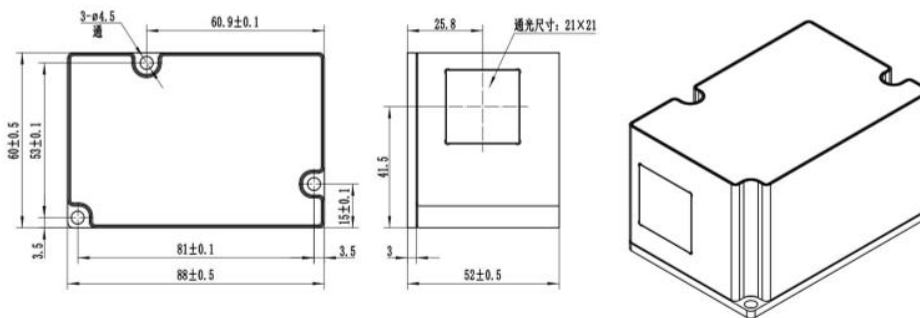


LSP-LD-0250

Parameter	Performance
Wavelength	1064nm±5nm
Energy	≥20mJ
Energy Stability	≤±10%
Beam Divergence	≤0.5mrad
Beam Jitter	≤0.05mrad
Pulse Width	15ns±5ns
Rangefinder performance*	200m-5000m
Ranging Frequency	Single, 1Hz, 5Hz
Rang Accuracy	≤±5m
Designation Frequency	Central Frequency 20Hz
Designation Distance*	≥2000m
Laser Coding Types	Precise Frequency Code, Variable Interval Code, PCM Code, etc.
Coding Accuracy	≤±2μs
Communication Method	RS422
Power Supply	18-32V
Standby Power Draw	≤5W
Average Power Draw(20Hz)	≤25W
Peak Current	≤3A
Preparation Time	≤1min
Operating Temp Range	-40°C-70°C
Dimensions	≤88mm×60mm×52mm
Weight	≤450g

*For a medium-sized tank (equivalent size 2.3m × 2.3m) target with a reflectivity greater than 20% and a visibility not less than 10km



Email: salesalumispot.cn

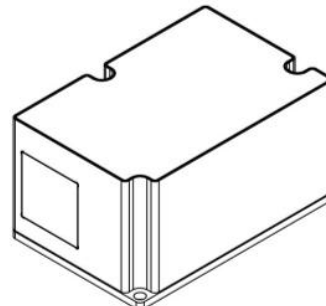
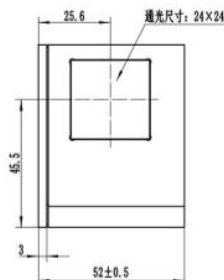
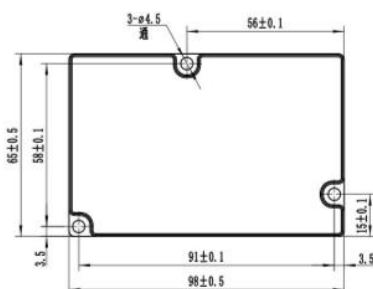
Tel: +86-510-83781808

Add: Building 4#, No.99 Furong 3rd Road, Wuxi, China

LSP-LD-0440

Parameter	Performance
Wavelength	1064nm±5nm
Energy	≥40mJ
Energy Stability	≤±10%
Beam Divergence	≤0.4mrad
Beam Jitter	≤0.05mrad
Pulse Width	15ns±5ns
Rangefinder performance*	200m-7000m
Ranging Frequency	Single、1Hz、5Hz
Rang Accuracy	≤±5m
Designation Frequency	Central Frequency 20Hz
Designation Distance*	≥4000m
Laser Coding Types	Precise Frequency Code, Variable Interval Code, PCM Code, etc.
Coding Accuracy	≤±2μs
Communication Method	RS422
Power Supply	18-32V
Standby Power Draw	≤5W
Average Power Draw(20Hz)	≤25W
Peak Current	≤3A
Preparation Time	≤1min
Operating Temp Range	-40°C-70°C
Dimensions	≤98mm×65mm×52mm
Weight	≤550g

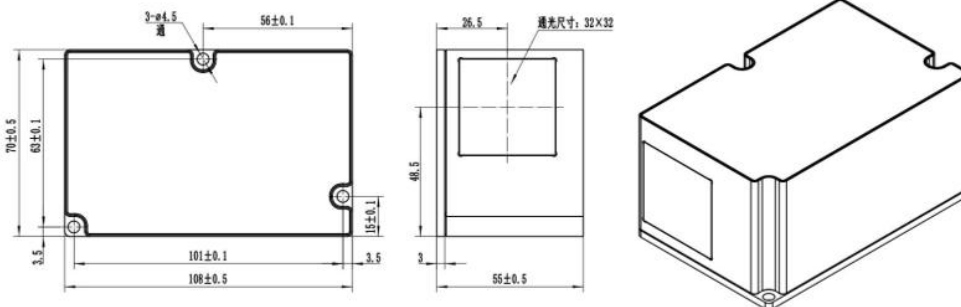
*For a medium-sized tank (equivalent size 2.3m × 2.3m) target with a reflectivity greater than 20% and a visibility not less than 10km



LSP-LD-0630

Parameter	Performance
Wavelength	1064nm±5nm
Energy	≥60mj
Energy Stability	≤±10%
Beam Divergence	≤0.3mrad
Beam Jitter	≤0.05mrad
Pulse Width	15ns±5ns
Rangefinder performance*	200m-9000m
Ranging Frequency	Single、1Hz、5Hz
Rang Accuracy	≤±5m
Designation Frequency	Central Frequency 20Hz
Designation Distance*	≥6000m
Laser Coding Types	Precise Frequency Code, Variable Interval Code, PCM Code, etc.
Coding Accuracy	≤±2μs
Communication Method	RS422
Power Supply	18-32V
Standby Power Draw	≤5W
Average Power Draw(20Hz)	≤40W
Peak Current	≤3A
Preparation Time	≤1min
Operating Temp Range	-40°C-70°C
Dimensions	≤108mm×70mm×55mm
Weight	≤650g

*For a medium-sized tank (equivalent size 2.3m × 2.3m) target with a reflectivity greater than 20% and a visibility not less than 10km



Email: salesalumispot.cn

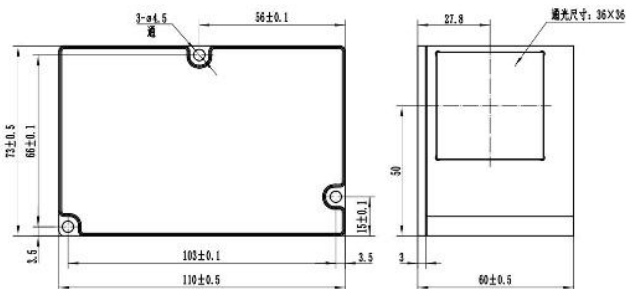
Tel: +86-510-83781808

Add: Building 4#, No.99 Furong 3rd Road, Wuxi, China

LSP-LD-0825

Parameter	Performance
Wavelength	1064nm \pm 5nm
Energy	\geq 80mJ
Energy Stability	$\leq \pm 10\%$
Beam Divergence	≤ 0.25 mrad
Beam Jitter	≤ 0.03 mrad
Pulse Width	15ns \pm 5ns
Rangefinder performance*	200m-10000m
Ranging Frequency	Single、1Hz、5Hz
Rang Accuracy	$\leq \pm 5$ m
Designation Frequency	Central Frequency 20Hz
Designation Distance*	≥ 8000 m
Laser Coding Types	Precise Frequency Code, Variable Interval Code, PCM Code, etc.
Coding Accuracy	$\leq \pm 2\mu$ s
Communication Method	RS422
Power Supply	18-32V
Standby Power Draw	≤ 5 W
Average Power Draw(20Hz)	≤ 50 W
Peak Current	≤ 4 A
Preparation Time	≤ 1 min
Operating Temp Range	-40 $^{\circ}$ C-70 $^{\circ}$ C
Dimensions	≤ 110 mm \times 73mm \times 60mm
Weight	≤ 750 g

*For a medium-sized tank (equivalent size 2.3m \times 2.3m) target with a reflectivity greater than 20% and a visibility not less than 10km



Email: salesalumispot.cn

Tel: +86-510-83781808

Add: Building 4#, No.99 Furong 3rd Road, Wuxi, China

Lumispot



¥78million
Register Capital

9+
Ph.D

90%
Proportion of Talent

200+
Patents



Lumispot was founded in 2010, with its headquarters in Wuxi, boasts a registered capital of CNY 78.55 million. Our expansive facility covers an area of approximately 40,000 square meters and is powered by a dedicated team of over 500 employees. Over the past 14+ years, Lumispot has emerged as a frontrunner in the specialized field of laser information technology, underpinned by a robust technical foundation.

We specialize in the research and development of laser technology, providing a diverse portfolio of products. This range encompasses laser ranging module, laser rangefinder, laser pump source, semiconductor laser, fiber laser, and solid-state laser, as well as comprehensive systems including structured lasers, and dazzlers. Our products find extensive applications across various sectors such as defense and security, LiDAR systems, remote sensing, inertial navigation, and technical research.

Lumispot is recognized as a National High-tech Enterprise and a National Innovation Enterprise, a testament to our commitment to innovation and excellence. This is further evidenced by our impressive portfolio of over 200 patents, marking our significant contributions to the field of laser technology.

Contact

Email: sales@lumispot.cn
Website: www.lumispot-tech.com

Lumispot

Illuminate Future From Laser

We aim to become the global leader in laser special information domain.

